

## Clearance Guidelines

The following document gives indications of clearances of the Shadowhub™ and Rib Tips of the Shadowspec Serenity™ and Shadowspec Unity™ umbrellas.

This document refers to the Octagon 3.5m / 11' canopy frame which is available on the Shadowspec Serenity, Shadowspec Unity Duo, Shadowspec Unity Trio and Shadowspec Unity Quattro configurations.

***Note measurements are different depending on what angle you install the umbrella at and the way you look at it - take care when measuring to note the angle of view on the right hand side of the following pages.***

All dimensions are from the centre of the Spigot.

***Measurements are supplied in metric for detailed accuracy.***

Drawings are shown with the Surface Plate mount.

Height references are from the bottom of the Surface Plate as standard.

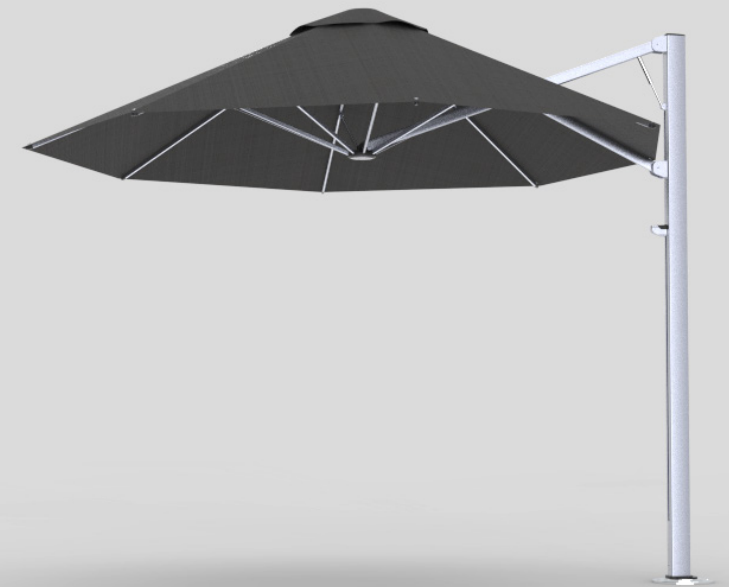
**Add additional height for Free-Standing Base:**

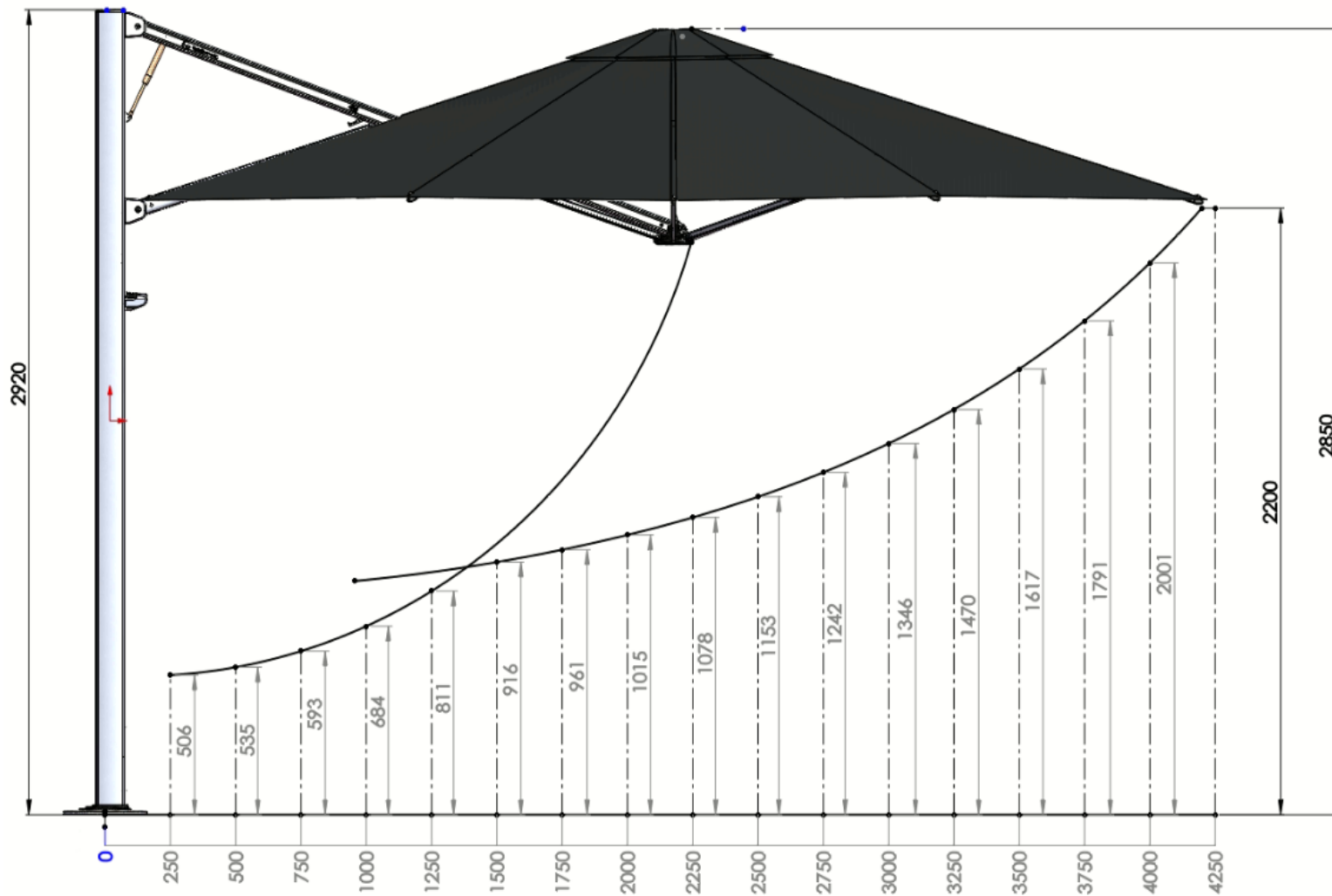
180mm for Free-Standing Base with Feet.

230mm Free-Standing Base with Wheels.

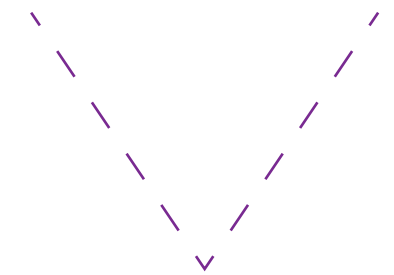
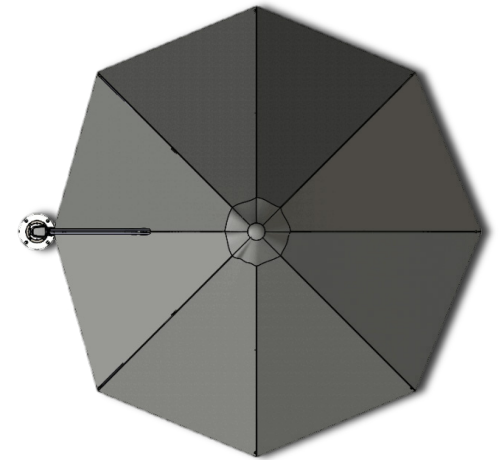
All dimensions are approximate. Please allow 50mm additional clearance when doing height calculations.

Full umbrella dimensions are available on the last page.



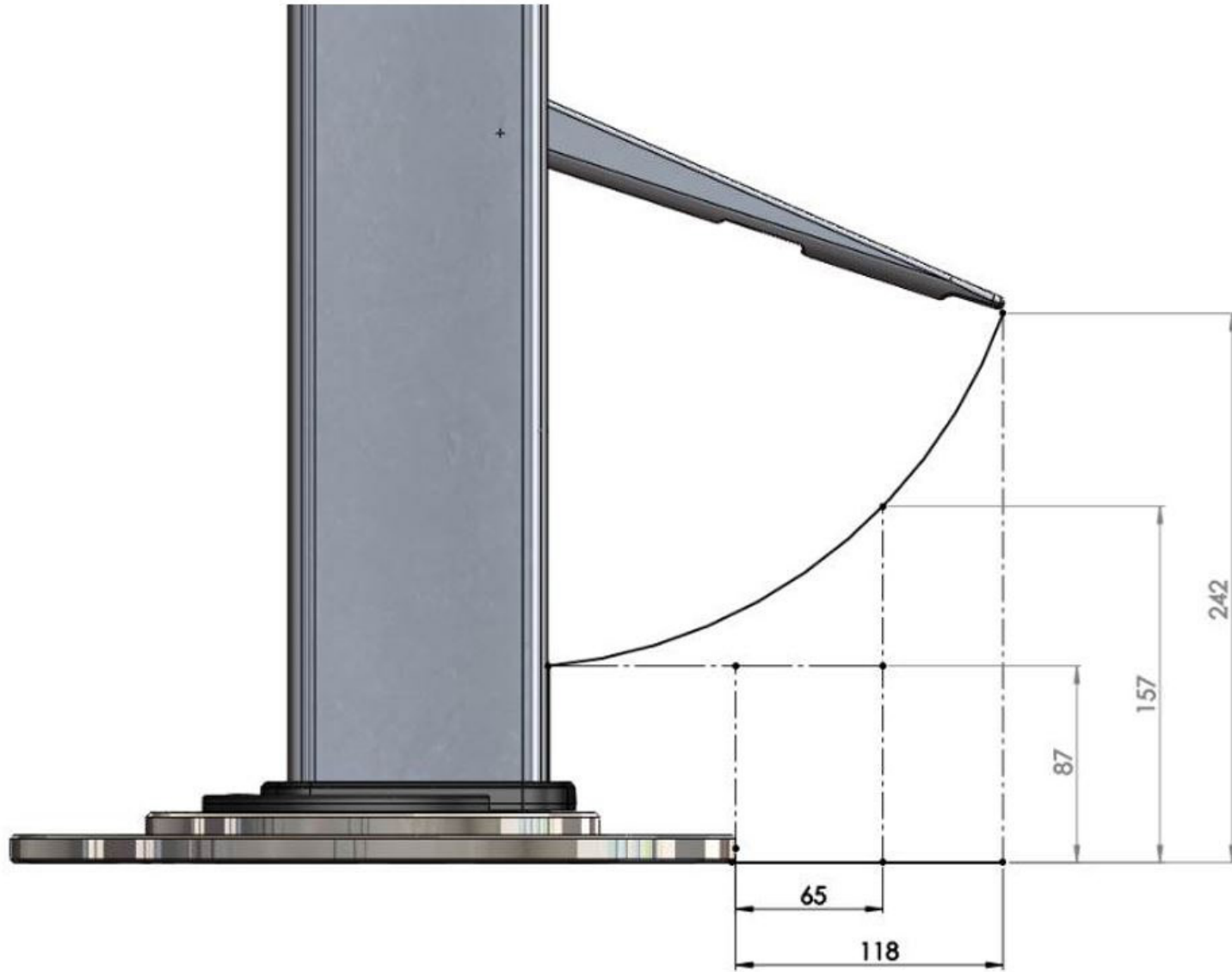


View Angle

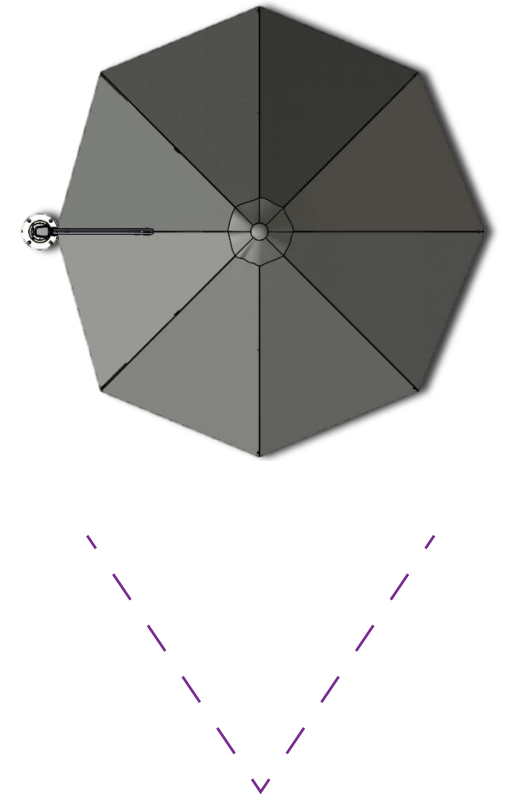


Shadowspec Serenity & Unity  
3.5m / 11' Octagon

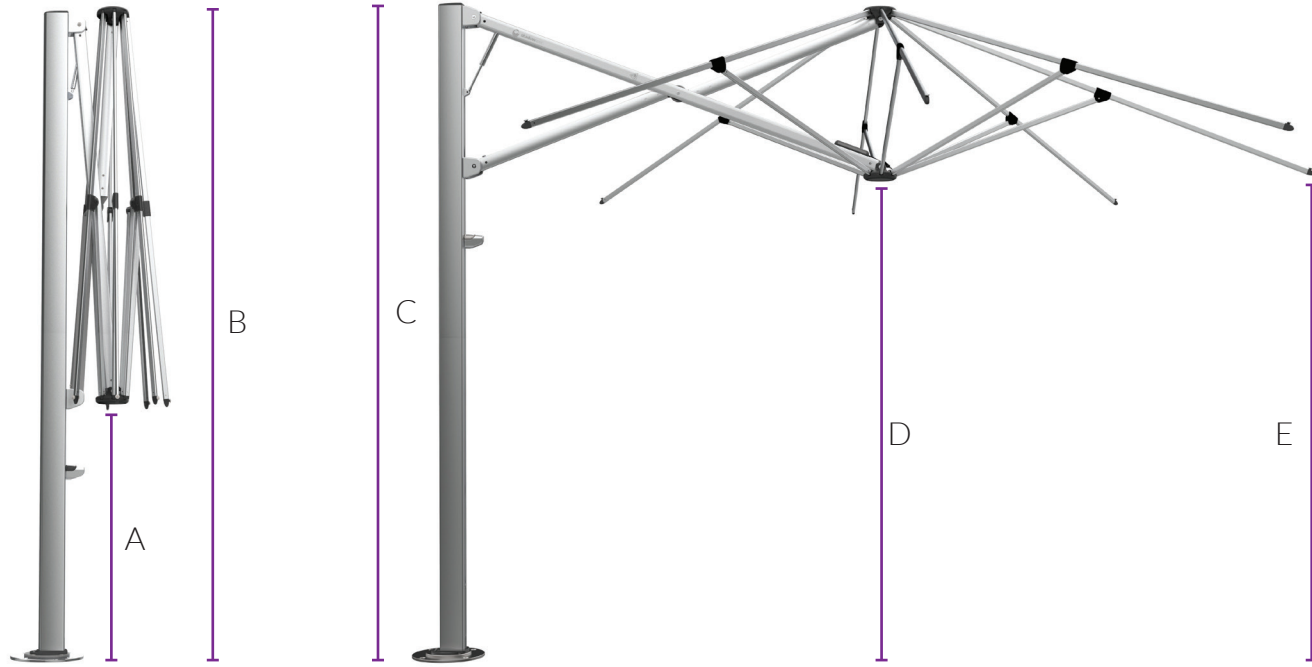
**Diagonal Angle**



View Angle

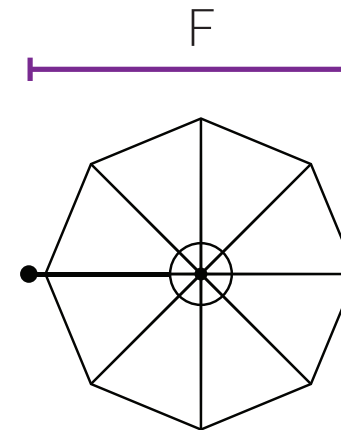


Shadowspec Serenity & Unity  
Lock Lever Clearance



### Diagram Legend

<b>A</b>	Ground to central frame hub when closed*	1079mm	3'7"
<b>B</b>	Total height to top of canopy*	2975mm	9'9"
<b>C</b>	Height of umbrella to top of mast cap*	2908mm	9'7"
<b>D</b>	Ground to central frame hub when open*	2205mm	7'3"
<b>E</b>	Ground to lower outer edge of canopy*	2237mm	7'4"
<b>F</b>	Centre of Spigot to outside edge of canopy	3447mm	11'4"
<b>G</b>	Diagonal from centre of mast to corner	N/A	N/A



\*Free-Standing Base installations will add 165mm | 6" to the height and surface plates will add 12mm | 1/2" to the height. Adding Free-Standing Base Wheels also will add a further 45-80mm | 2-3". All sizings are +/- 2.5mm | 3/32" and subject to change without notice.