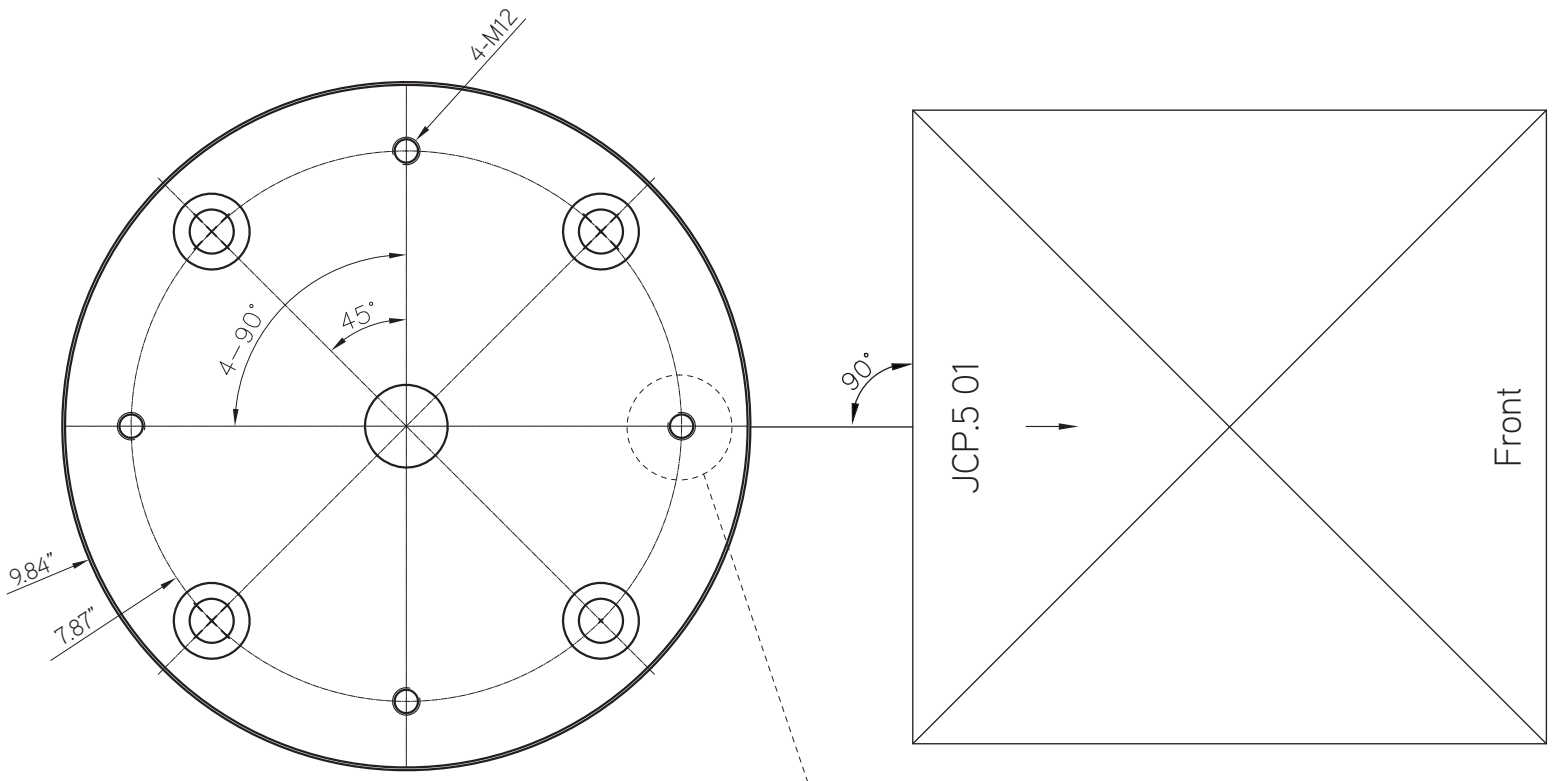
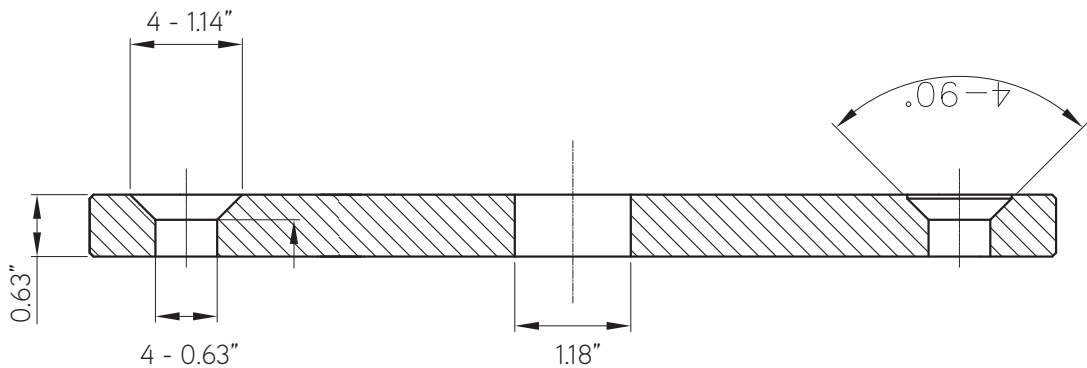


JCB-MKC501

Concrete Mount Kit Adapter Plate Specifications

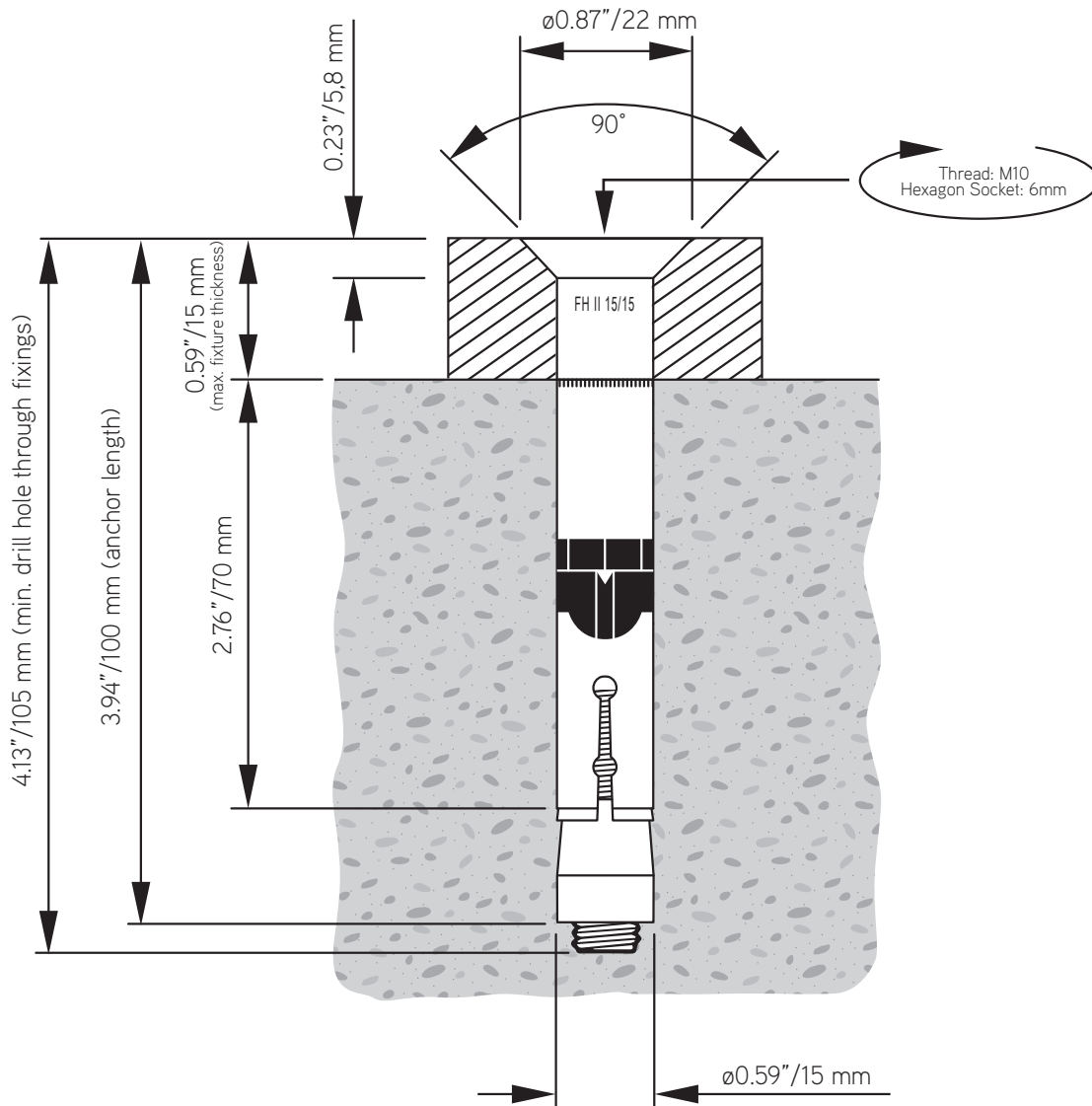


Internal stem hole must
face direction of umbrella!



JCB-MKC501

Concrete Mount Kit Expansion Bolt Specifications



Note: Drawing not to scale.

Final installation hardware should be determined by and professionally installed by a license contractor.