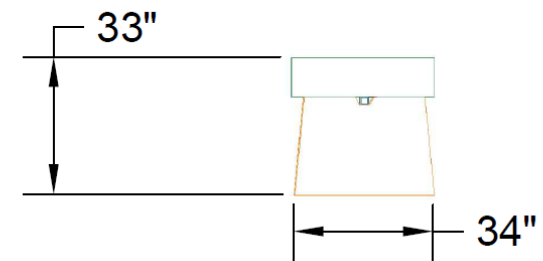
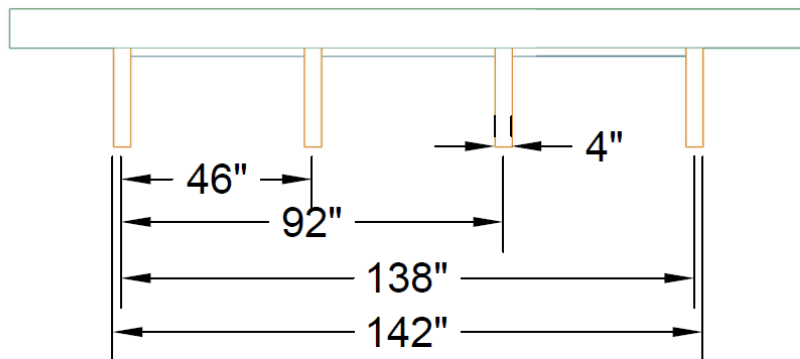
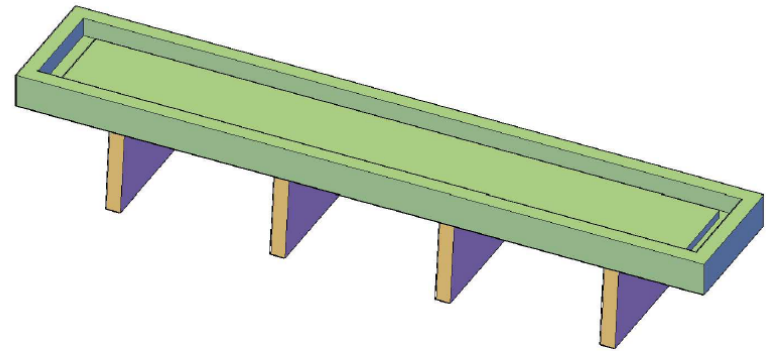
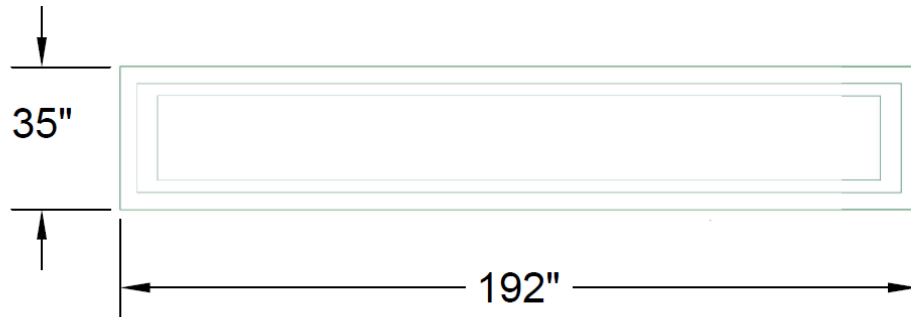


# Shuffleboard 16ft. Table Dimensions:

## 16' Shuffleboard Table



Notes: Legs are dimensioned on center. Total weight is 6240 pounds. Top piece weighs 4980 pounds.

16' Shuffleboard Table

Drawn by: Joshua James

Date: 2/28/2019

Property of: Bravado Outdoor Products LLC

# 16' Shuffleboard Table

Two  $\frac{1}{2}$  inch Rebar rectangular frames welded together 6" apart that span the whole outside wall of the table.

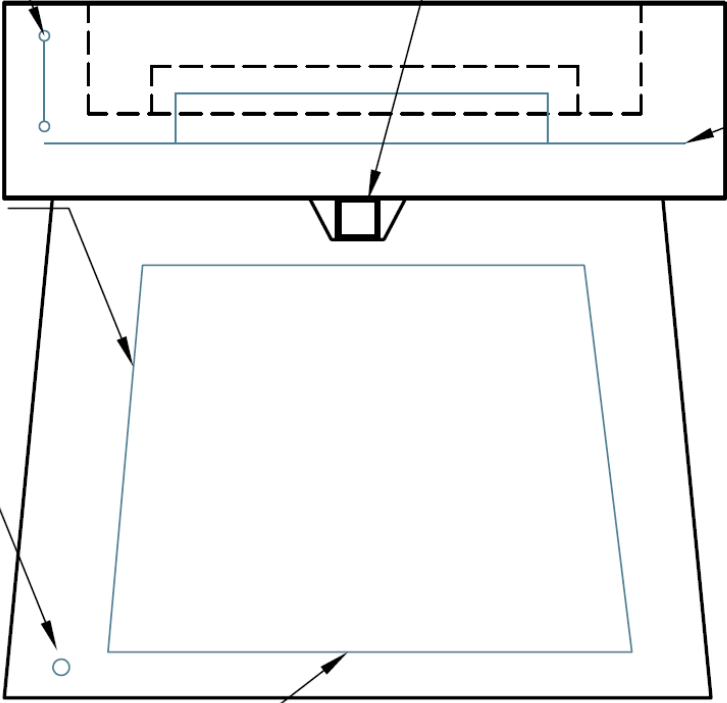
Table and legs have zamac threaded inserts and bolt to the metal runner.

Two Sheets of 4x4 Welded together. Bottom sheet measures 188"x31" top sheet measures 170"x18" rebar is 2 inches from the outside edges of the table.

$\frac{1}{2}$  inch Rebar bent to shape.

Zamac Rust Proof threaded insert for bolt down brackets

ALL Concrete is 5000+ PSI with Masterfiber Mac 2200, FiberMesh 150 fiber reinforcement, and Fritz Pak Supercizer 7.



16' Shuffleboard Shop drawing  
Drawn by: Joshua James  
Date: 3/4/2019  
Property of: Bravado Outdoor Products LLC