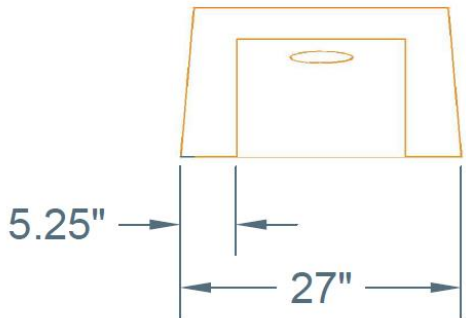
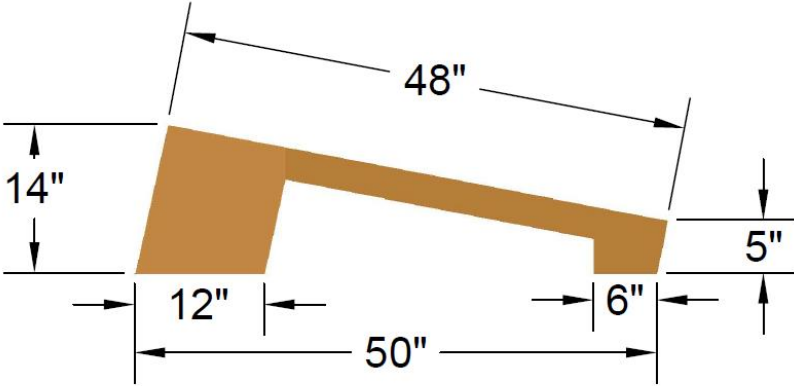
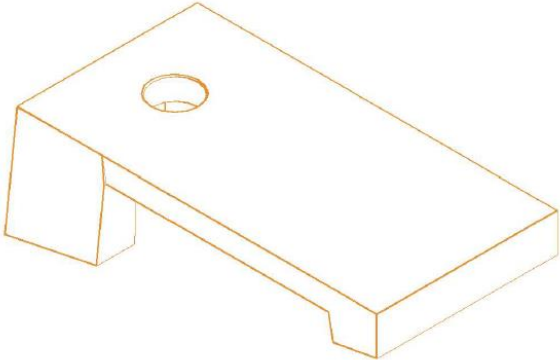
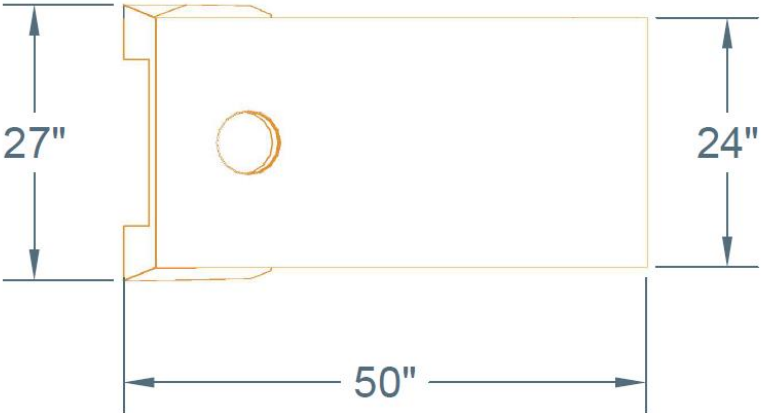


**Cornhole Board Specs:**



Approximate weight: 400 pounds per board.