

Helpful Assembly Tips



Because of traditional joinery construction of this chair, joints will be tight, and some bars or posts may not initially appear properly spaced to insert into holes. In this case you may need to change the angle of the part slightly by loosening or tightening related joints. Some force may be necessary to seat certain parts - but it does result in a very tight and strong rocking chair!



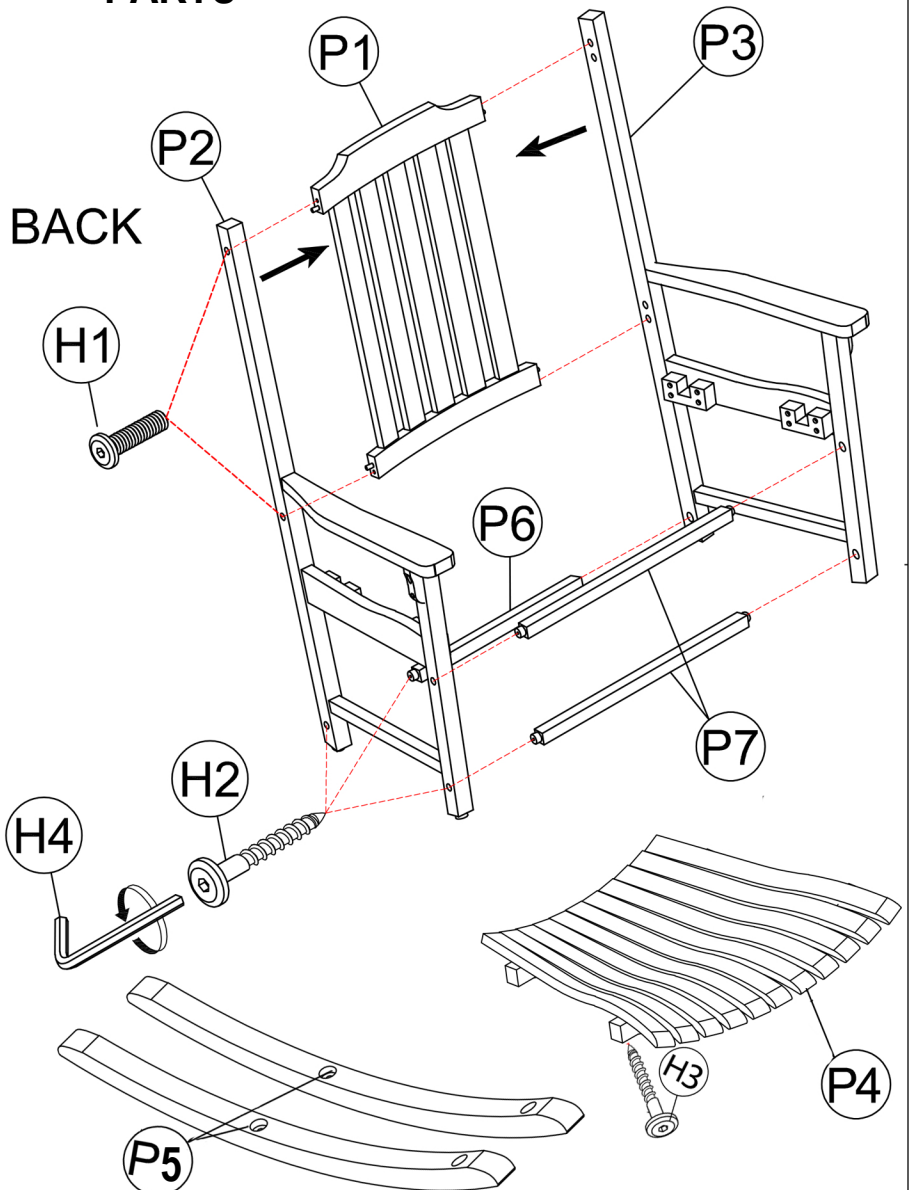
We recommend bringing your rocker inside to acclimate for a couple of days prior to assembly.

Tools Needed



Rubber Mallet, & Allen Wrench (provided)

PARTS

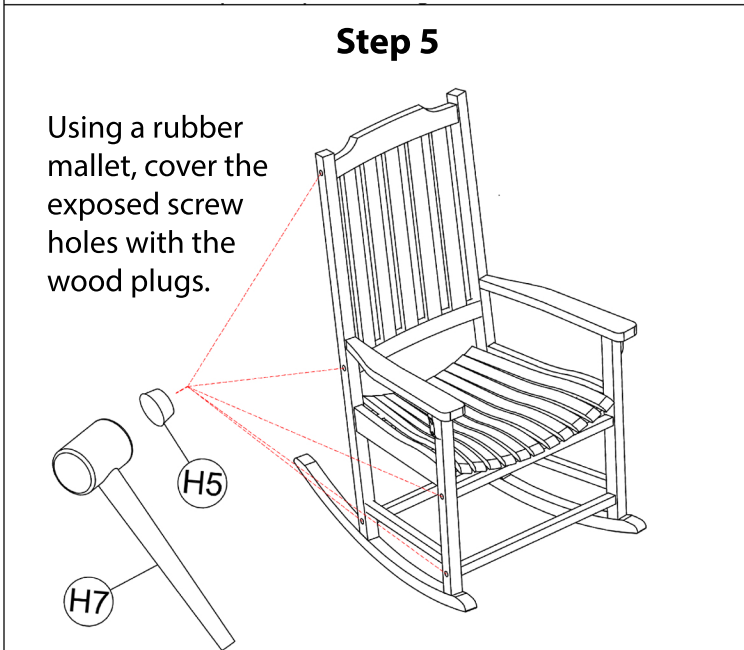
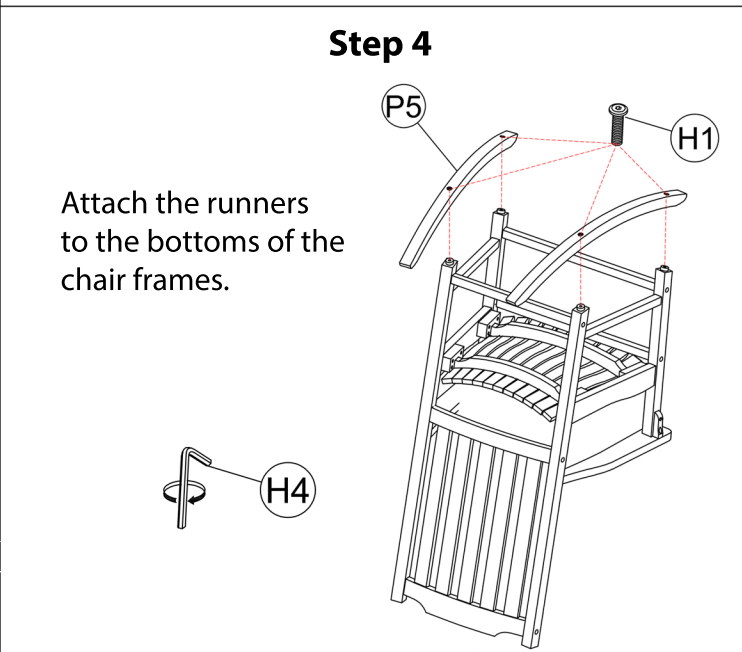
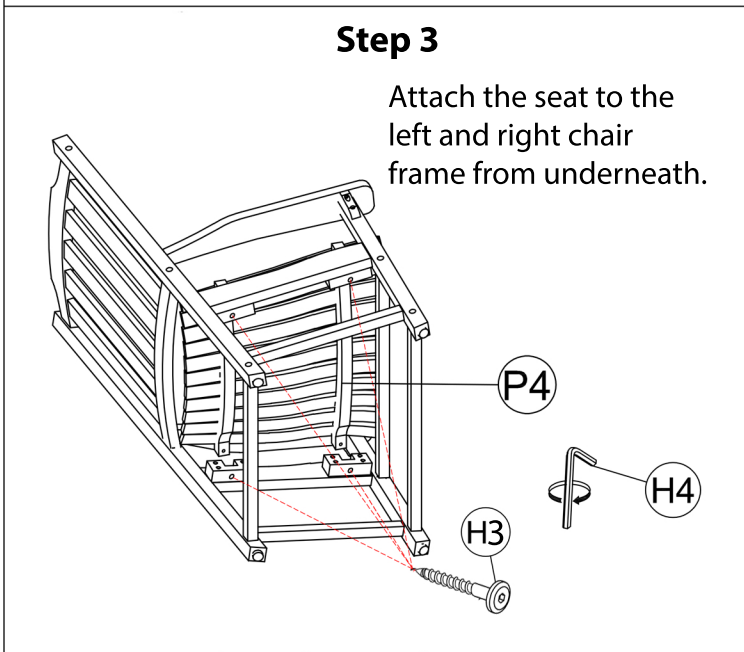
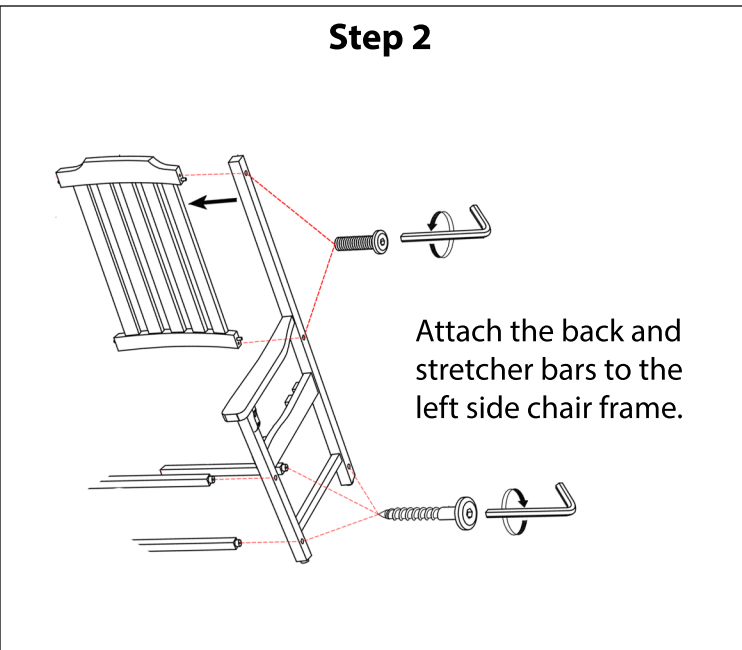
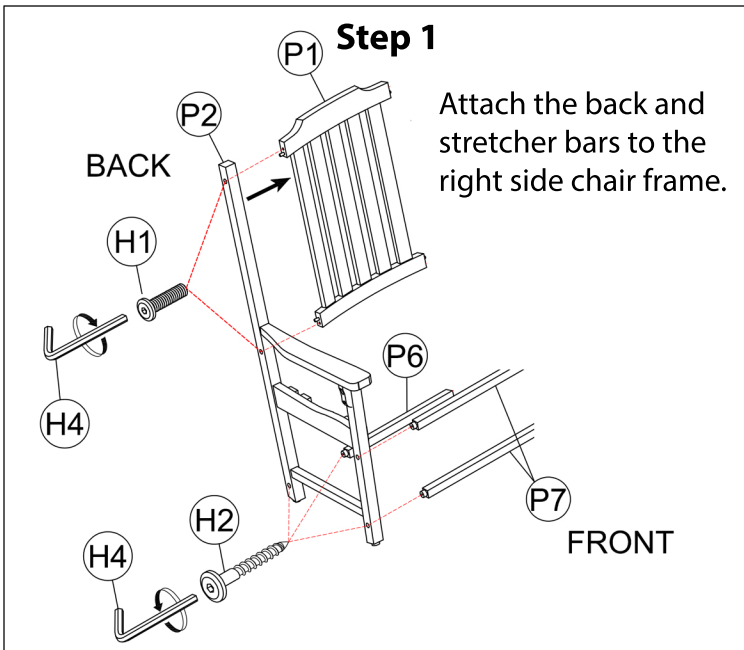


PARTS LIST

No.	DESCRIPTION	IMAGE	QTY
P1	BACK FRAME		1
P2	RIGHT LEG FRAME		1
P3	LEFT LEG FRAME		1
P4	SEAT FRAME		1
P5	LEG		2
P6	BACK RAIL		1
P7	FRONT RAIL		2

HARDWARE LIST

No.	DESCRIPTION	IMAGE	QTY
H1	BOLT M6X40		8
H2	SCREW M6X50		6
H3	SCREW M6 x 40		4
H4	ALLEN KEY M4		1
H5	WOOD PLUG		10
H7	RUBBER HAMMER		not provided



Enjoy your new Americana Resort Rocker!

Protect your investment - save 10% off a premium Americana rocker cover on Frontera.com. Use code ARRC10.